

Intermot Hydraulic Motors

IHM Series

H3 Models

IHM 400 – 450 – 500 – 600 – 700 – 750 H3

INDEX

TECHNICAL DATA	Pag. 17
IHM 400 – 450 – 500 – 600	
700 – 750 H3	Pag. 18
ORDERING INSTRUCTIONS	Pag. 19

IHM H3

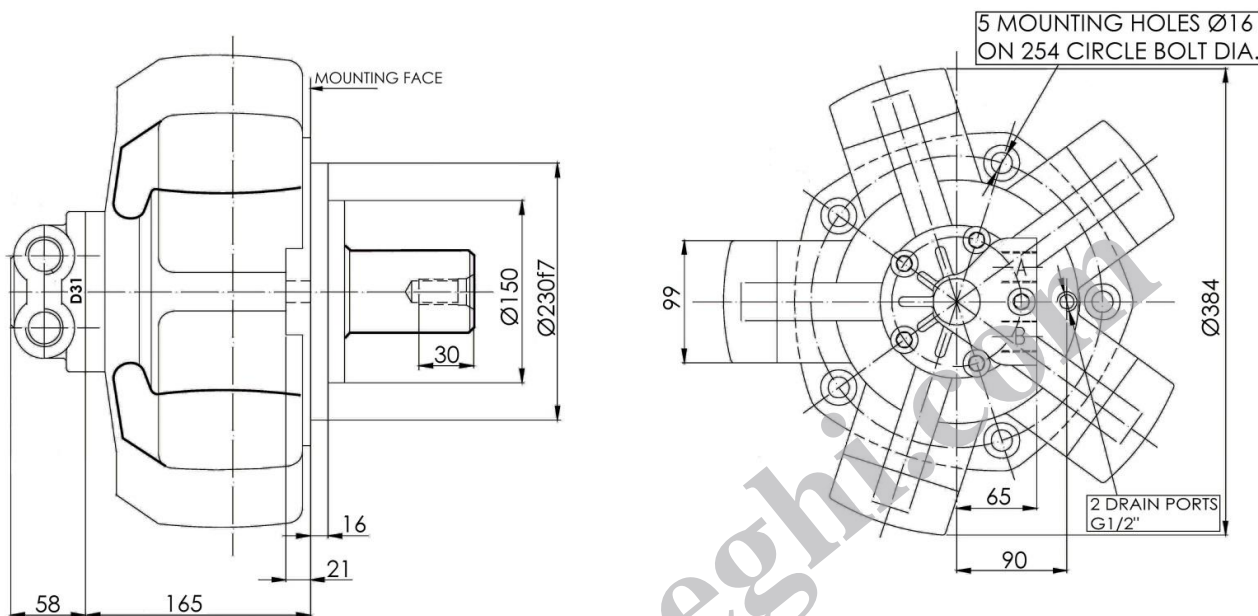
Technical data

MODEL		N° of pistons	Displacement	Pressure		Speed		Torque		Dry Mass
				Max Cont.	Peak	Minimum speed	Max speed	Rated	Specific	
			cm3/rev	bar		rpm		Nm	Nm/MPa	kg
IHM H3	400	5	397	250	320	5	630	1469	59	57,5
	450		452	250	320	5	630	1672	67	
	500		491	200	250	5	500	1451	73	
	600		594	200	250	4	500	1756	88	
	700		683	160	200	4	400	1616	101	
	750		754	160	200	4	320	1785	112	

IHM H3

Dimensional drawings

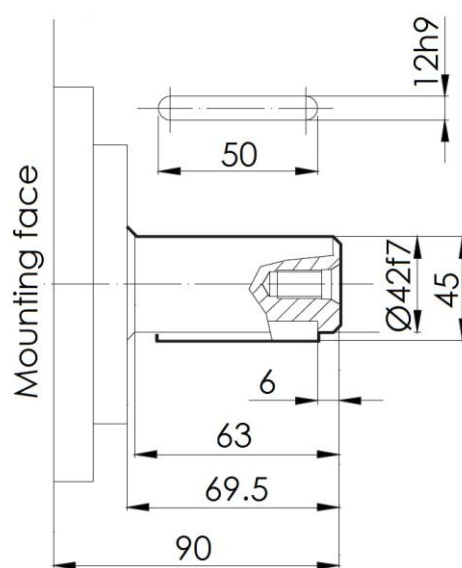
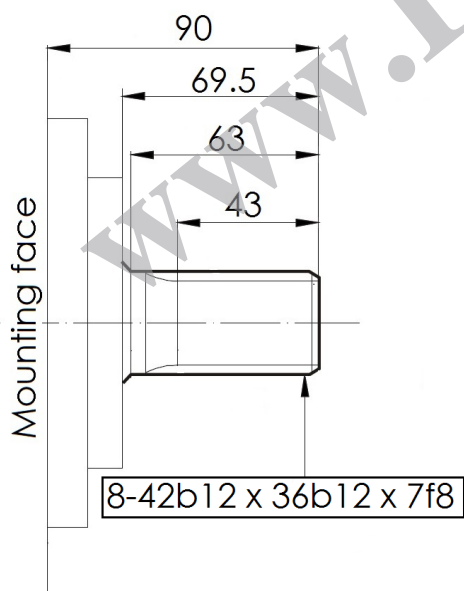
IHM 400 – 450 – 500 – 600 – 700 – 750 H3



SHAFTS

A0: Standard splined shaft

A1: Splined shaft on request



For further shaft configurations, please contact our technical department

IHM H3

Ordering instructions

IHM	---	H3	A _	D _ _
Model				
Displacement				
400 cc/rev				
450 cc/rev				
500 cc/rev				
600 cc/rev				
700cc/rev				
750 cc/rev				
		Housing		
H3				
			Shaft	
A0 – Standard splined shaft				
A2 – Parallel keyed shaft				
				Distributor
D31 – ¾" BSP				
D310 – 1" BSP				
D40 – 1" BSP				
D47 – SAE 1" 3000 psi flange				

EXAMPLE : IHM 600 H3 A0 D40